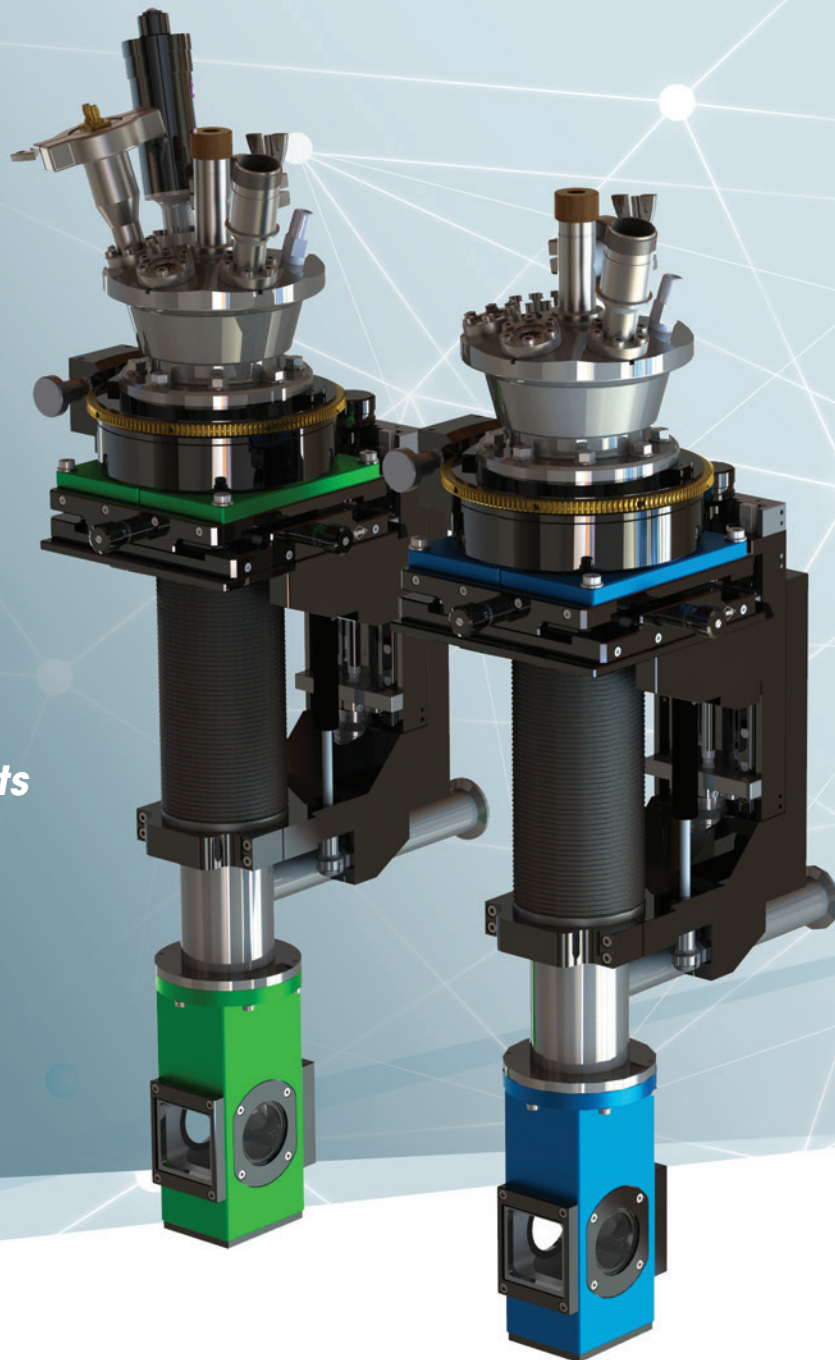


# CRYOGENIC EXPERIMENT STATION

*A complete range  
of cryogenic stations  
adapted to your experiments*



Cryoscan, expert in solutions for cryogenics is developing a range of cryogenic measurement stations built from helium circulation cryostats for specific applications: optical, RF measurements, measurements under magnetic field...

CRYOSCAN measuring chambers are designed to offer maximum space around the sample for minimum external sterility.

**CRYOSCAN offers a complete range of chambers:**

- Miniature chambers
- Chambers with refocusing mirror
- Chambers equipped with coils for magnetic field
- Non-magnetic chambers

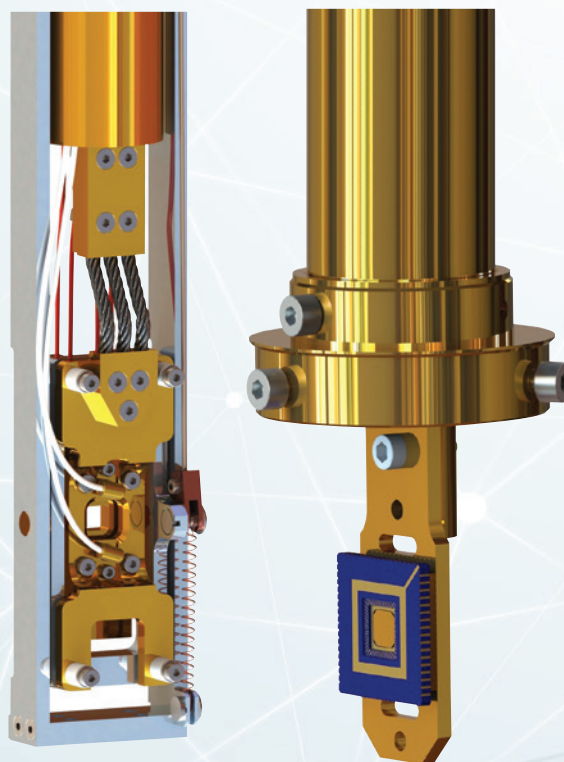
Our cryostats can be assembled on translation and rotation stages allowing all degrees of freedom on the sample. A precise motorisation of the movements is offered as an option.



**A wide range of connectors available**

CRYOSCAN proposes measurement stations equipped with different types of input/output connectors: multipin, coax, micro coax, SMA, SMP... with internal adapted wiring.

Input/output optical fibers are also available.



Standard configurations

**Equipment adapted to your applications**

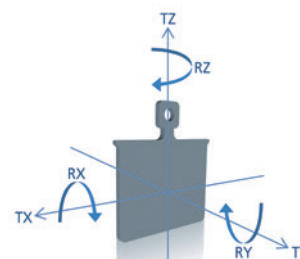
Our sample holders are designed to guarantee optimum thermal contact. Our solutions allow the integration of standardised multi-contact connectors (type LCC) or geometries specifically studied for your applications.

**Descriptions measurement stations**

Descriptions measurement stations: Ref cryostat + chamber (example: Txyz-Ryz-He - 60AA)

CRYOSTATS														
REF	Degrees of freedom						Low temperatures on sample	Admissible chambers						
	Translations		Rotations			Motorisation possible		16SA	30SA	40SA	30AA	40AA	50AA	60AA
	xy	z	z	x	y									
Tn-Rn-He	-	-	-	-	-	-	4K	●	●	●	●	●	●	
Tn-Rz-He	-	-	●	-	-	●	4K	-	-	●	-	●	●	
Txy-Rn-He	●	-	-	-	-	●	4K	-	●	●	●	●	●	
Txyz-Rn-He	●	●	-	-	-	●	4K	-	●	●	●	●	●	
Txyz-Rz-He	●	●	●	-	-	●	4K	-	●	●	●	●	●	
Txyz-Rxz-He	●	●	●	●	-	●	8K	-	-	●	-	●	●	
Txyz-Ryz-He	●	●	●	-	●	●	8K	-	-	●	-	●	●	
Tn-Rn-N	-	-	-	-	-	-	77K	●	●	●	●	●	●	
Tn-Rz-N	-	-	-	-	-	●	77K	-	●	●	●	●	●	
Txy-Rn-N	●	-	-	-	-	●	77K	-	●	●	●	●	●	
Txyz-Rn-N	●	●	-	-	-	●	77K	-	●	●	●	●	●	
Txyz-Rz-N	●	●	●	-	-	●	77K	-	●	●	●	●	●	
Txyz-Rxz-N	●	●	●	●	-	●	80K	-	-	●	-	●	●	
Txyz-Ryz-N	●	●	●	-	●	●	80K	-	-	●	-	●	●	

CHAMBERS		
REF	Width (mm)	Optical access
16SA	16	-
30SA	30	-
40SA	40	-
30AA	30	●
40AA	40	●
50AA	50	●
60AA	60	●



Sample

Co-financed by the European Union within the framework of the ERDF-FSE operational program of Lorraine and Massif des Vosges 2014-2020.

